



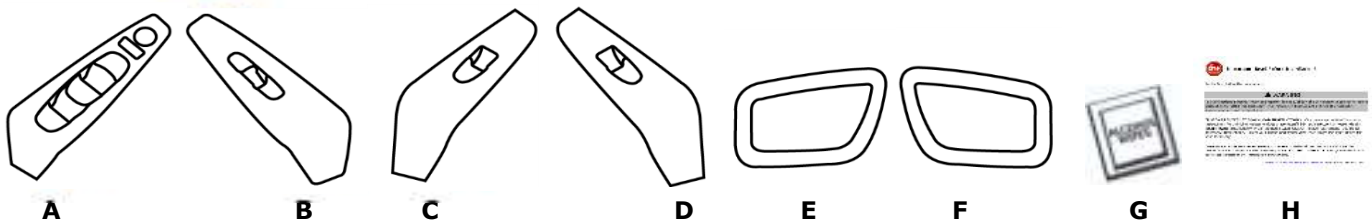
## GENUINE PARTS

### INSTALLATION INSTRUCTIONS

**DESCRIPTION:** Interior Appliqué  
**APPLICATION:** Maxima  
**PART NUMBER:** T99G3 4RAxA (x - different colors)

**KIT CONTENTS:**

Item	Qty.	Description
A	1	Door Switch Finisher - FR LH
B	1	Door Switch Finisher - FR RH
C	1	Door Switch Finisher - RR LH
D	1	Door Switch Finisher - RR RH
E	1	HVAC Vent Finisher - LH
F	1	HVAC Vent Finisher - RH
G	5	Alcohol wipe
H	1	Instruction Replacement Template



**TOOLS REQUIRED:**

- None.

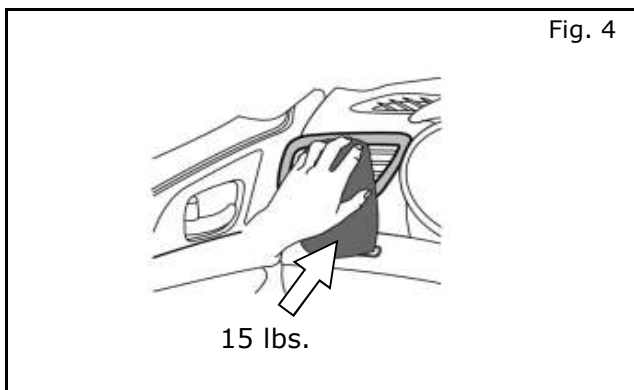
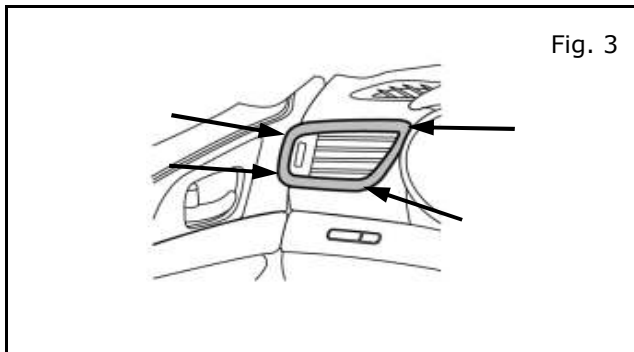
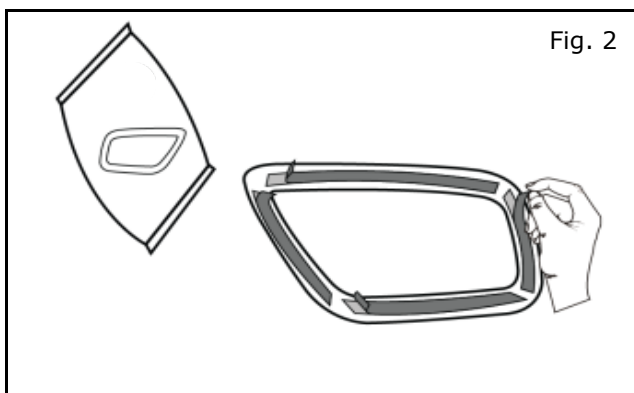
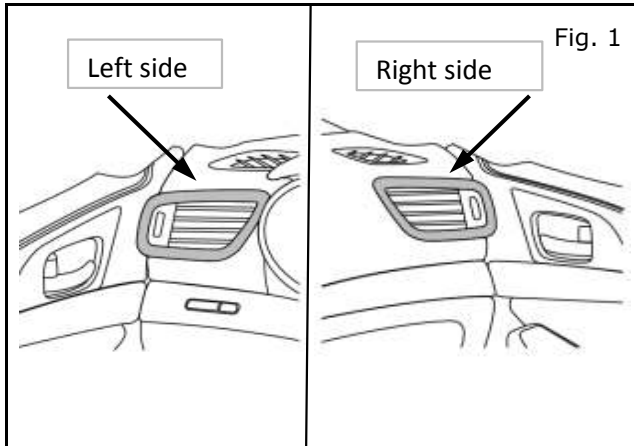
**PRE-INSTALLATION WARNINGS, CAUTIONS, CRITICAL STEPS, and NOTES:**

- Read the installation sheet and check the entire kit for possible damage or defects before performing any work.
- Always dry fit parts before removing the adhesive liners to ensure proper fit, alignment, and component location. Kit contents are labeled to indicate proper location.

### CAUTION

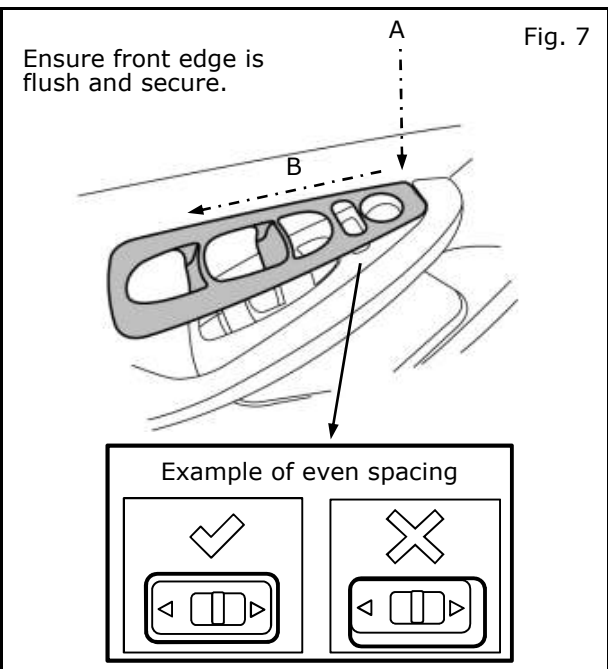
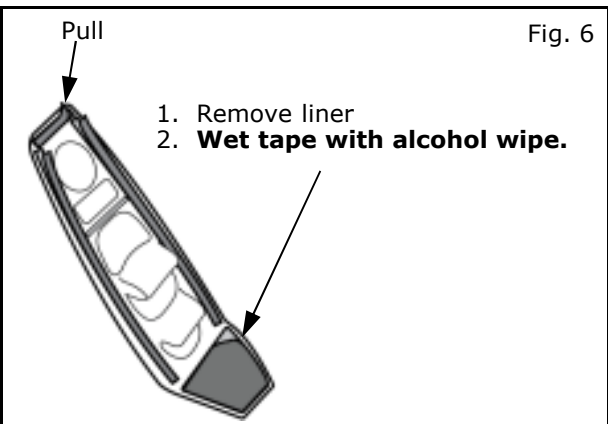
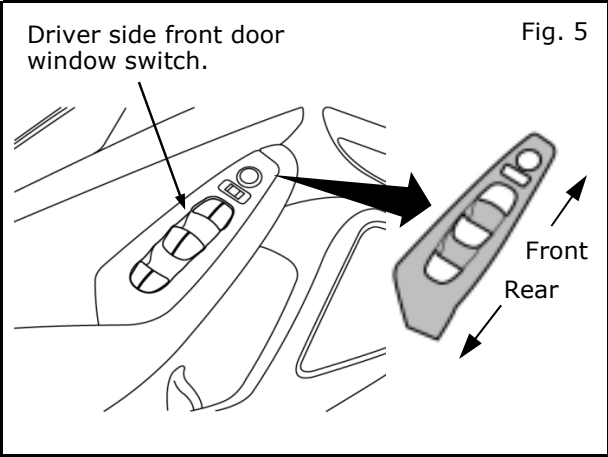
- Do not touch the tape side with your fingers to avoid contaminating the tape and reducing adhesion strength.
- These parts are to be installed when the ambient temperature is between 60°F - 80°F, (16°C - 26 °C).
- Do not wash or expose the vehicle to a wet environment for 24 hours after installing the Center Console Appliqué.
- The tape will set in 15-20 seconds after the installation.
- Do not reposition the appliqués once the tape has started to set/adhere to vehicle.

## INSTALLATION PROCEDURE:



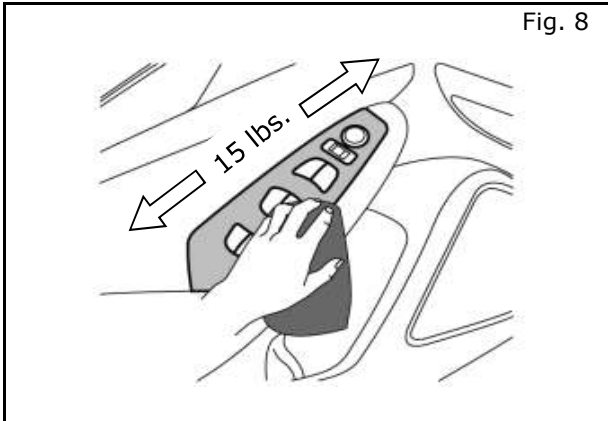
- 1) Use an alcohol wipe to clean the indicated areas on the vehicle where the vent finishers (LH and RH) are to adhere. **(Fig. 1)**
- 2) Locate left side vent on vehicle and vent finisher - LH from the kit. **(Fig. 2)**
- 3) Dry fit part before removing the adhesive liner to establish correct part orientation.
- 4) Remove all adhesive liner from back of vent finisher - LH. **(Fig. 2)**
- 5) Carefully lineup and press in place aligning with the vehicle vent part. **(Fig. 3)**
- 6) Once vent finisher - LH is adjusted to the correct position, use clean towel and apply minimum 15 lbs. of pressure over entire surface, for at least 30 seconds. **(Fig. 4)**
- 7) Repeat steps 2) through 6) for vent finisher - RH.

**INSTALLATION PROCEDURE:**



- 8) Locate driver side front window switch on vehicle and door switch finisher FR LH from the kit. **(Fig. 5)**
- 9) Dry fit part before removing the adhesive liner to establish correct part orientation and even spacing around all switches and outer perimeter.
- 10) Use an alcohol wipe to clean the area of the vehicle where this appliqué is to adhere.
- 11) Remove all adhesive liners from back of the door switch finisher - FR LH. **(Fig. 6)**
- 12) While using a new section of the alcohol wipe, wipe exposed tape on the pull cup face to assist ease of installation. **(Fig.6)**
- 13) A. Line up the front end of the applique to the vehicle switch finisher.  
B. Carefully and lightly press the front end in place and work backward to ensure applique is in correct position. **Ensure even spacing around all switches and outer perimeter.**  
Once in place, make sure all switches operate correctly with no obstructions. **(Fig. 7)**

## INSTALLATION PROCEDURE:



- 14) Once door switch finisher - FR LH is adjusted to the correct position, use clean towel and apply minimum 15lbs of pressure over entire surface, for at least 30 seconds. **(Fig. 8)**
- 15) Repeat steps 8 to 14 for the remaining door switch finishers.

## FINAL INSPECTION:

- Verify vehicle parts are not soiled.
- Verify interior is not damaged.
- Confirm all window, door lock, and mirror control mechanisms work properly.